

Delivery Specification		No.	Page
Part Name		CNE-NU-400-10E-2	1/4
Ceramic Ultrasonic Sensor NU400E10TR-2		Shenzhen Jinci Technology Co., Ltd	

DATE : _____

TO : _____

AGENT : _____

ULTRASONIC TRANSDUCER SPECIFICATION

Shenzhen Jinci Technology Co., Ltd

Address: Block C1201, FuYuan Commerce Trading Center, Baoan Town, Shenzhen, Guangdong China(Mainland)

Telephone: (86 755) 27593409

Fax: (86 755) 27593563

Website: <http://www.jinci.cn>

E-mail: jinyi@jinci.cn

DRAWN BY	CHECKED BY	APPROVED BY

Part Name

Ceramic Ultrasonic Sensor NU400E10TR-2

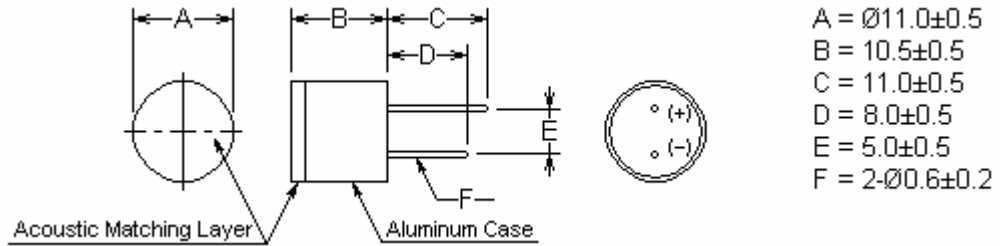
Shenzhen Jinci Technology Co., Ltd

1. SCOPE

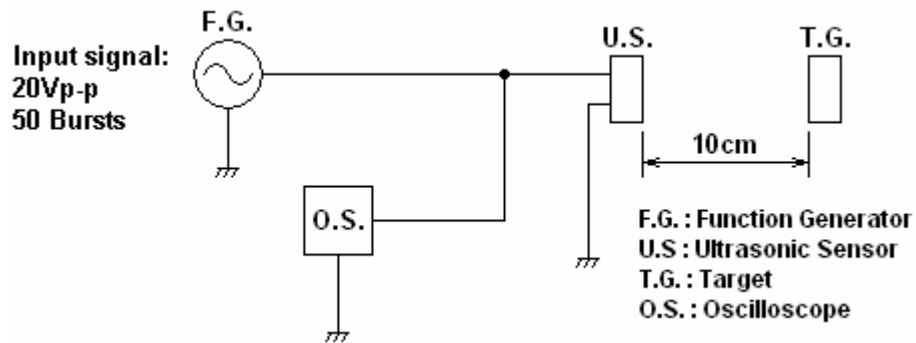
This specification shall cover the characteristics of the ceramic ultrasonic sensor with NU400E10TR-2.

NU400E10TR-2 Compatible with transmitting and receiving.

2. OUTLINE DIMENSIONS (UNIT: mm)



3. TEST CIRCUIT



Part Name

Ceramic Ultrasonic Sensor NU400E10TR-2

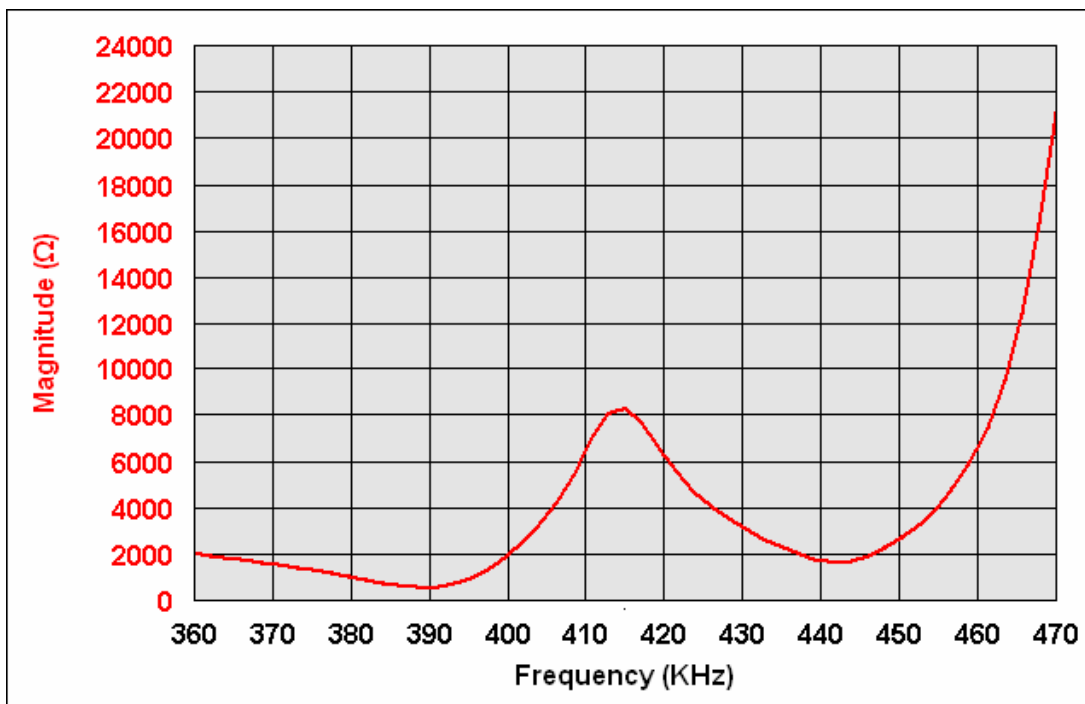
Shenzhen Jinci Technology Co., Ltd

4. CHARACTERISTICS

Part number	NU400E10TR-2
Construction	High-frequency
Using method	Dual use
Center frequency	400.0±16.0KHz
Bandwidth	30.0KHz
Echo Sensitivity 0dB = 20Vp-p, 50 Bursts, 10 cm	-75dB min
Min. Parallel Resistance	600Ω±30%
Capacitance	180Pf±20%
Max. Input Voltage (Pulse)	300Vp-p
Directivity (-3dB)	7°±2°
Distance of Detection	50~300mm
Protection Class	IP65
Material	Aluminum
Operating temperature	-40°C~+80°C
Storage Temperature	-40°C~+85°C

• All specification taken typical at 25°C

5. FREQUENCY / IMPEDANCE

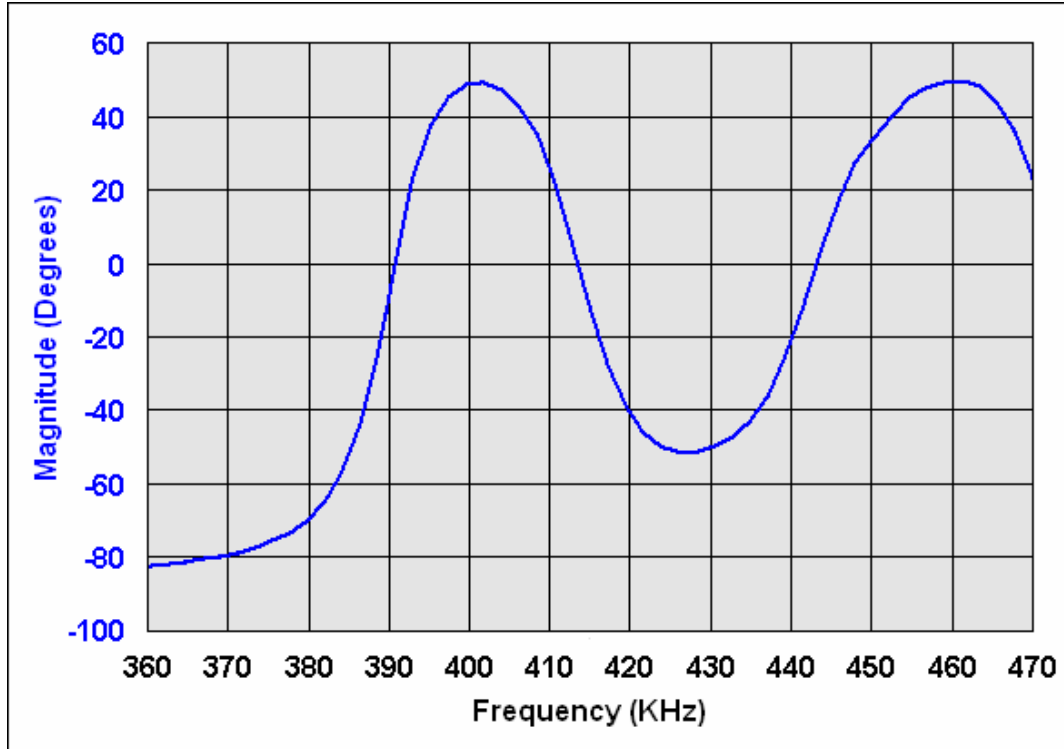


Part Name

Ceramic Ultrasonic Sensor NU400E10TR-2

Shenzhen Jinci Technology Co., Ltd

6. FREQUENCY / PHASE ANGLE



7. Beam Angle

